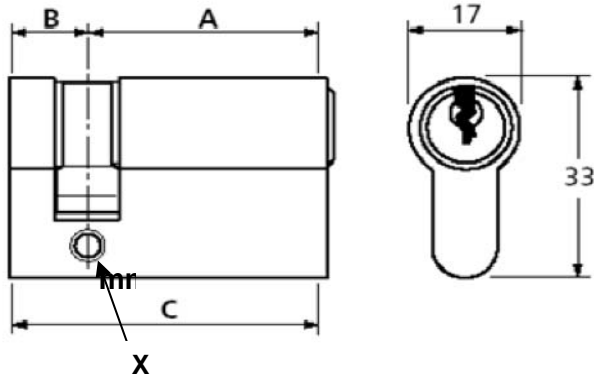


EURO PROFILE CYLINDER Measurement & Fitting Guide

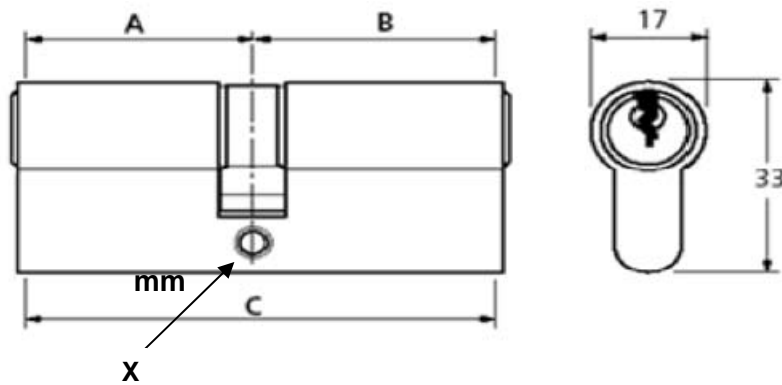
(Featured in the website's measuring guide video)



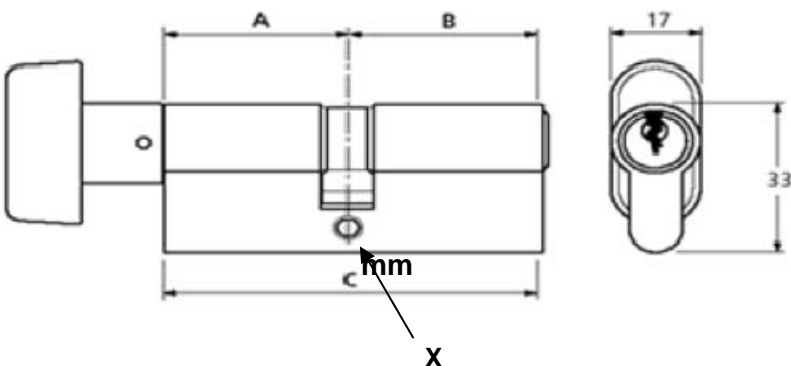
Euro **SINGLE** Cylinder (no keyhole inside property)



Euro **DOUBLE** Cylinder



Euro Cylinder with Turn **KNOB**



Cylinder Removal

- Remove the screw which passes from the door edge into the cylinder at Point **X**.
- Turn the key to align the cam with the body.
- Slide the cylinder out to the key side.

If a Euro Cylinder with Turn Knob is fitted, there is no need to insert a key. Just rotate the turn knob and slide the cylinder out to the turn knob side.

NB: If the cylinder is tight and does not move, you may have to loosen the door furniture and/or locking mechanism to facilitate the removal of the cylinder.

Cylinder Measurement

Using the diagrams to the left as a guide, take the measurements of A, B and C. The sum of A plus B should always equal C.

Measurement of A = mm

Measurement of B = mm

Measurement of C = mm

Ideally, the cylinder should fit flush with the door furniture/escutcheon. This is not always possible, but in all cases it should not project more than 3mm.

Cylinder Fit

- Align the cam with the cylinder's body by turning the key.
- Slide the cylinder in from the key side.
- Replace the screw which passes from the door edge into the cylinder at Point **X**.

If in doubt, contact CIA's qualified Master Locksmiths for assistance.

T 023 9224 2449
F 023 9223 2730
E locks@ciaalarms.co.uk
W www.ciaalarms.co.uk

These instructions are for guidance only and CIA does not accept liability for any consequences resulting from their interpretation.



Christie Intruder Alarms Ltd is a
Master Locksmith Association
Approved Company