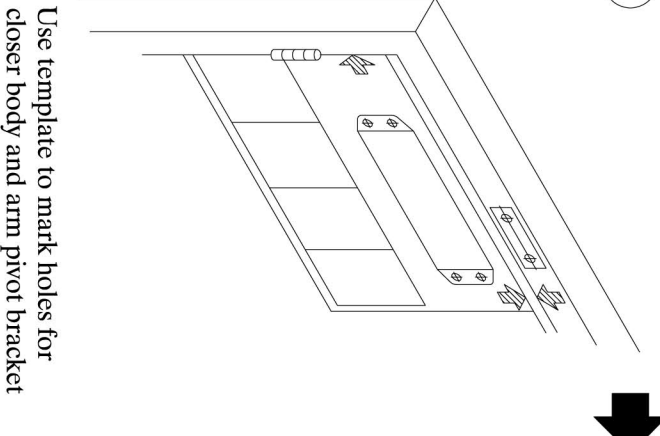
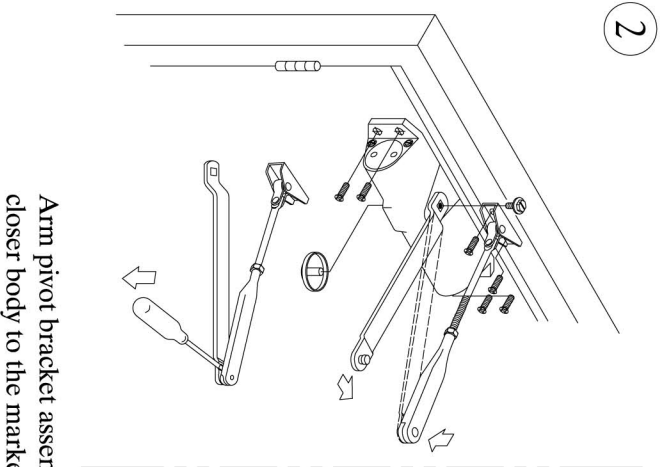


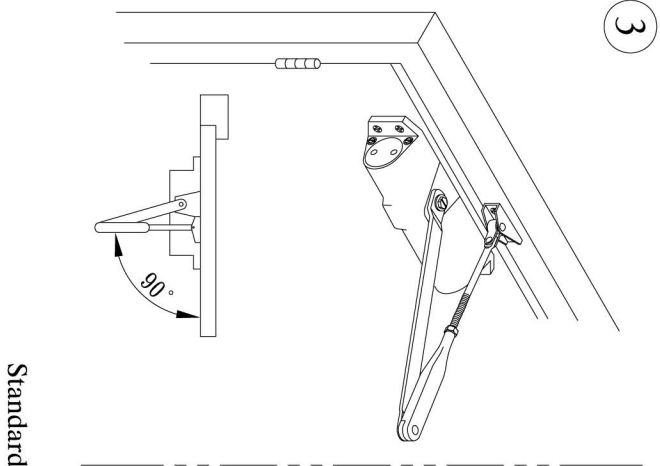
1



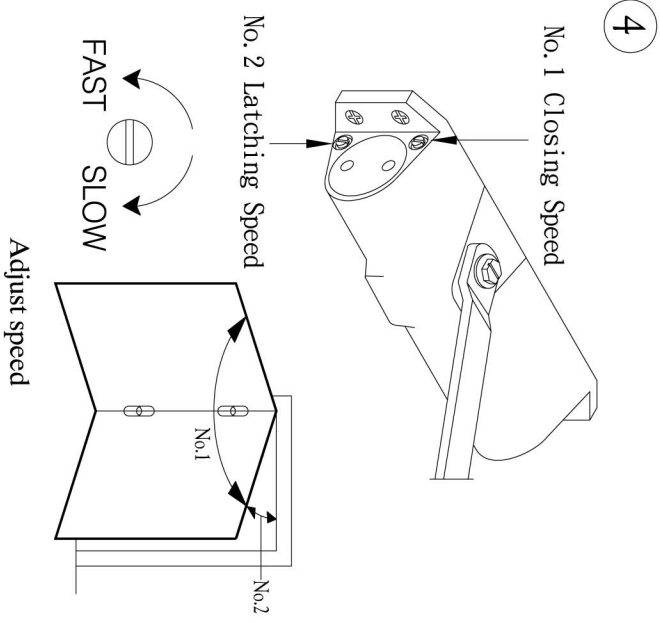
2



3



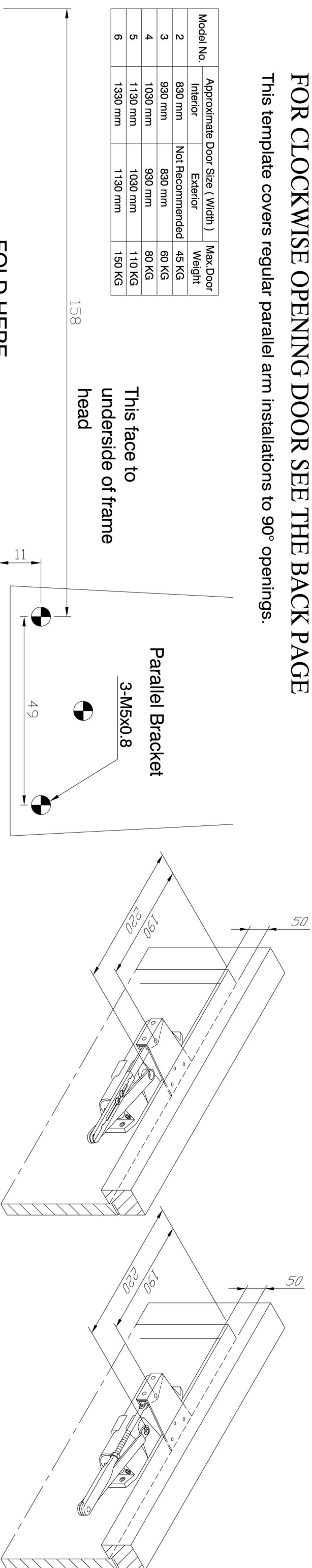
4



PARALLEL ARM INSTALLATION FOR ANTI CLOCKWISE OPENING DOOR FOR CLOCKWISE OPENING DOOR SEE THE BACK PAGE

This template covers regular parallel arm installations to 90° openings.

Model No.	Approximate Door Size (Width)		Max. Door Weight
	Interior	Exterior	
2	830 mm	Not Recommended	45 KG
3	930 mm	830 mm	60 KG
4	1030 mm	930 mm	80 KG
5	1130 mm	1030 mm	110 KG
6	1330 mm	1130 mm	150 KG

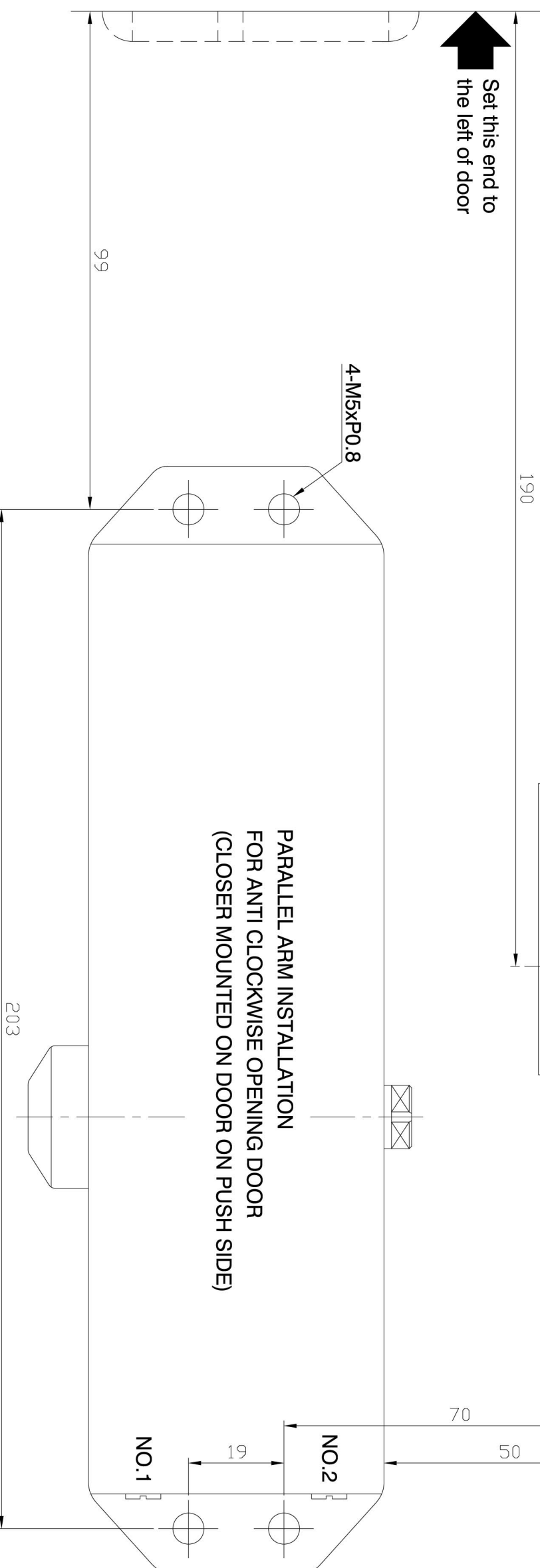


FOLD HERE

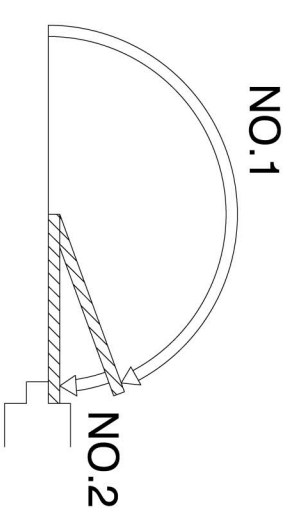
Set to underside of frame head



Set this end to the left of door



PARALLEL ARM INSTALLATION
FOR ANTI CLOCKWISE OPENING DOOR
(CLOSER MOUNTED ON DOOR ON PUSH SIDE)



FAST UP
SLOW DOWN

SPEED ADJUSTING VALVE